



Coaxial Fixed Attenuator

RFHB18XXNC50-A

DC-18 GHz, 1-50 dB, 50 Watts, N, Bidirectional

Rev 3

Electrical

Impedance	50 ohm		
Frequency Range	DC-18 GHz		
VSWR	1.45 max		
Input Avg Power	50W@ 25°C ambient, derating linearly to 5W at 100°C		
Peak Power	1kW (5 micro-sec pulse width, 2% duty cycle)		
Direction	Bidirectional, N female to N male (other configurations available)		

Attenuation(dB)	1-10	20	30	40,50
Accuracy(dB)	±0.8	±0.9	±1.1	±1.2

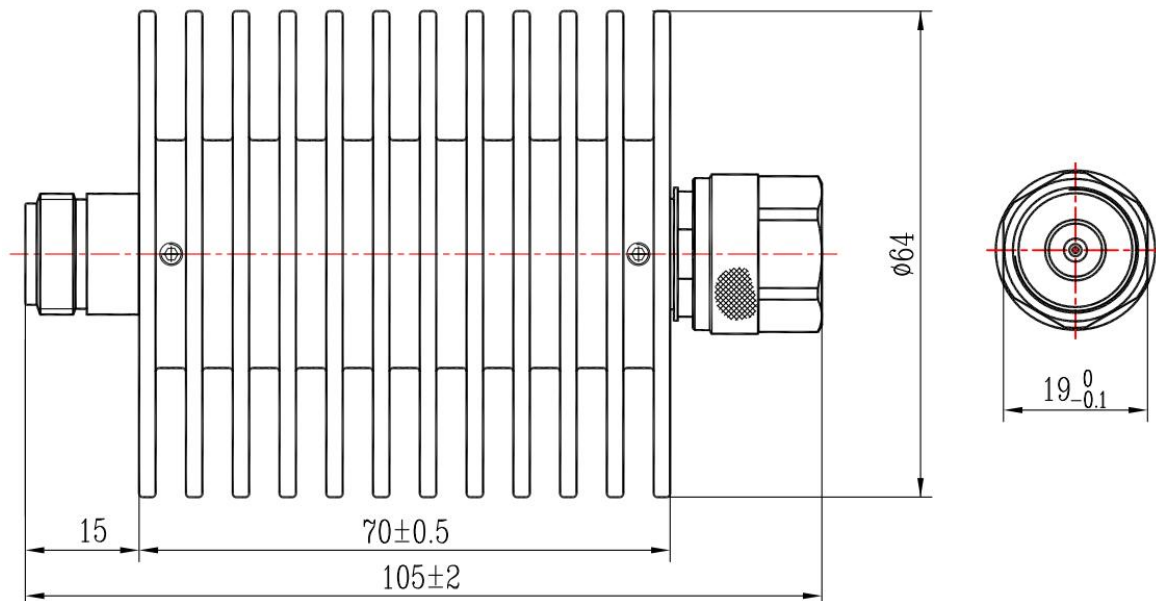
Mechanical

Connector Body	Passivated stainless steel
Heat Sink	Black anodized aluminum
Center Contact	Gold plated beryllium copper/brass
Net Weight	About 350 g

Environmental

Operating Temperature	-55°C to 100°C
Storage Temperature	-55°C to 125°C
RoHS	Compliant
Temperature Coefficient	<0.0004 dB/dB/°C

Dimensions(mm)



Notes

- 1.To maintain best performance, recommended to use fan to keep the case temperature under 85°C.
- 2.Customized dB values, outlines and optimal accuracy/VSWR available.

Model Description

RFHB18XXNC50-A

- 1.XX for dB value: 06=6dB,30=30dB
- 2.Code for connector configuration:
A=female for two ends; B=male for two ends
C=female for one end and male for the other.